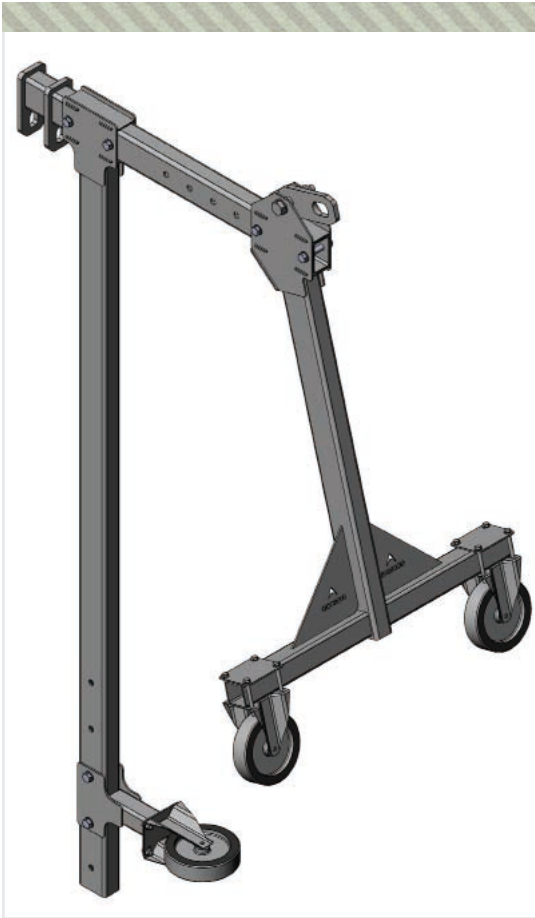


TANK SUSPENSION RIG 200004



TECHNICAL DATA

The tanks suspension rig model 200004 is a suspension for suspended platforms at tanks with all the requirements of safety and current legislation.

The tank suspension rig is composed by light and easy to use pieces. The assembly of the pieces is realized by screws for a maximum security.

The suspension anchorage is made by a wire rope anchored to an adequate point of anchorage, generally to the ventilation tube at the center of the tank.

The tank suspension rig is made in galvanized steel and can be painted (OPTIONAL) which guarantees a great resistance to the open air.

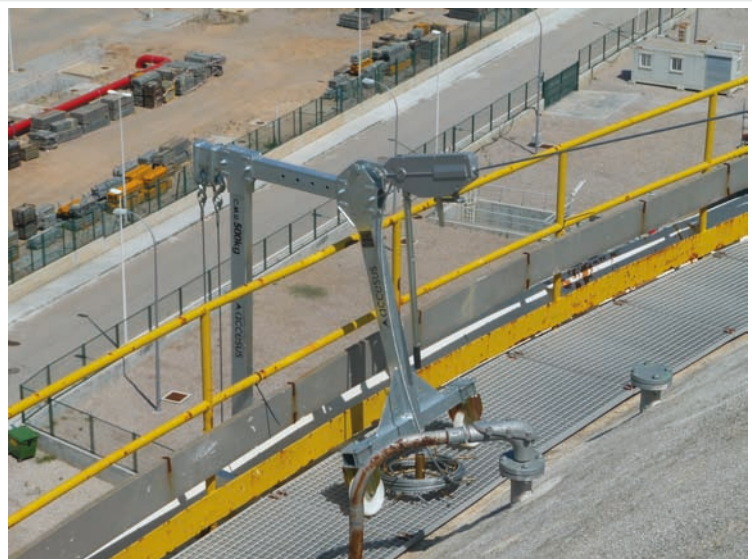
The tank suspension rig is specially designed and certified for suspended scaffolds.

ADVANTAGES

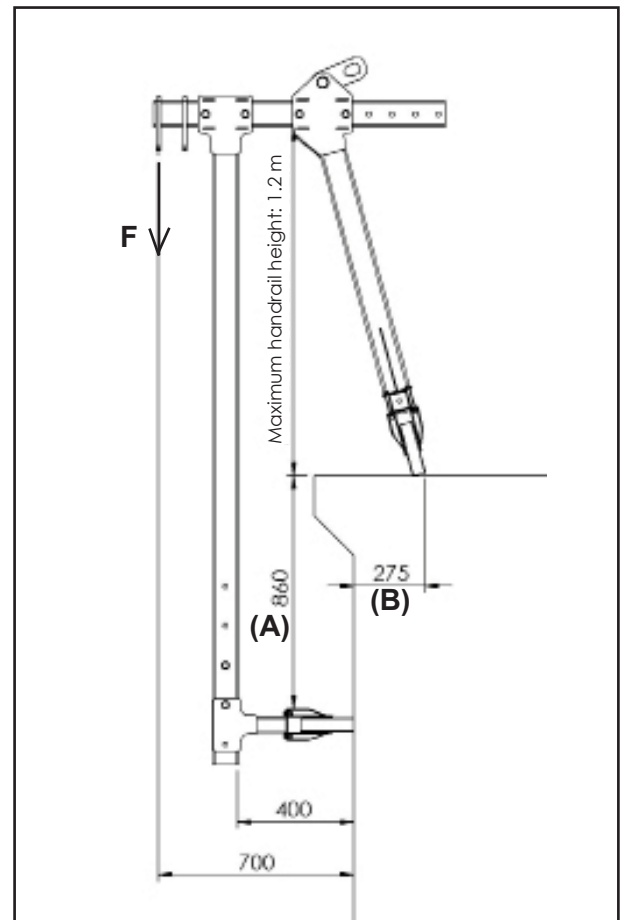
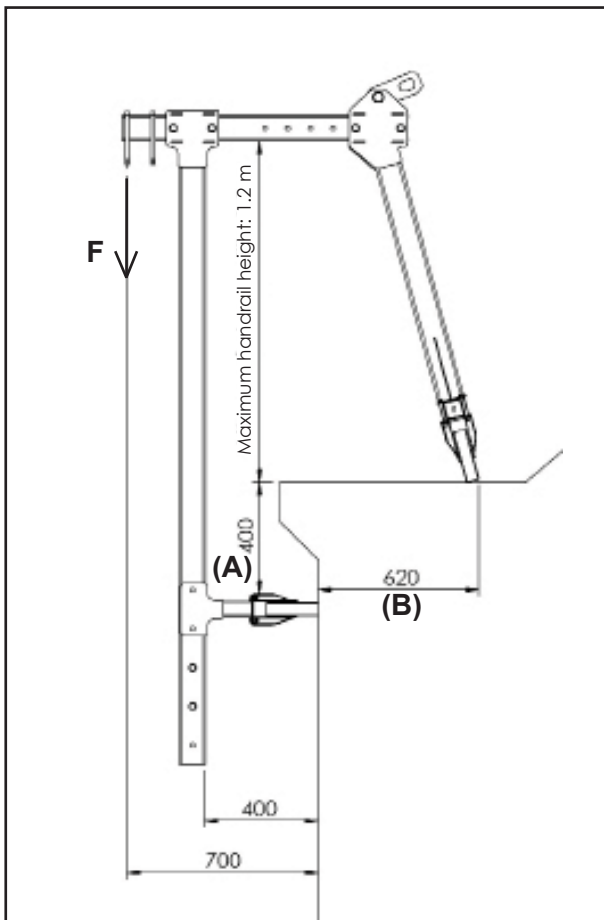
- Possibility of use safely suspended platforms at tanks.
- Valid for elevation of loads.
- Easy transport, assembly and storage.
- Assembly by screws.
- Pneumatic support wheels for vertical lean (OPTIONAL).

TECHNICAL FEATURES

Weight Load Limit (WLL)	500 kg
Maximum handrail height	1,2 m
Maximum overhang	0,7 m
Dead weight	115 kg
Certificate for elevation of people	Yes
Detachable	Yes



DIMENSIONS



The regulations of the supports of the vertical wheels (A) are adjustable between 400 and 860 mm each 150mm.

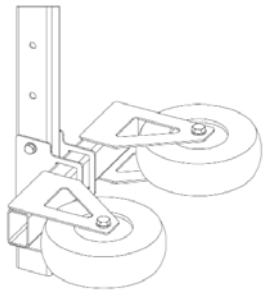
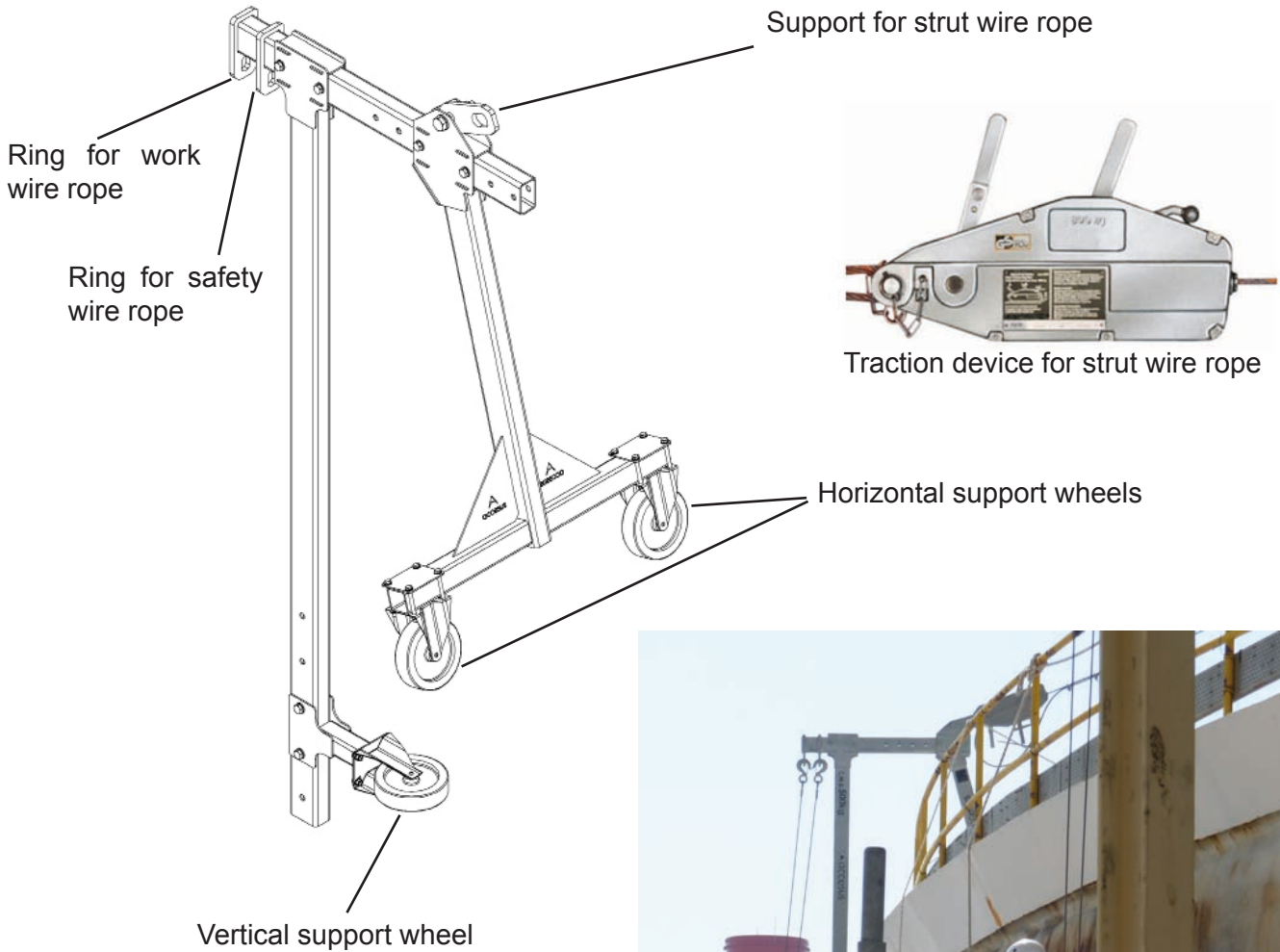
The regulations of the supports of the horizontal wheels (B) are adjustable between 275 and 620 mm each 87.5mm.

Maximum overhang 700mm, Weight Load Limit (F) 500kg.



MAIN COMPONENTS

The suspensions for tanks model 200004 are composed by elements that allows different configurations.



Pneumatic support wheels (optional) for vertical lean

