

## BEAM CLAMP EN1808



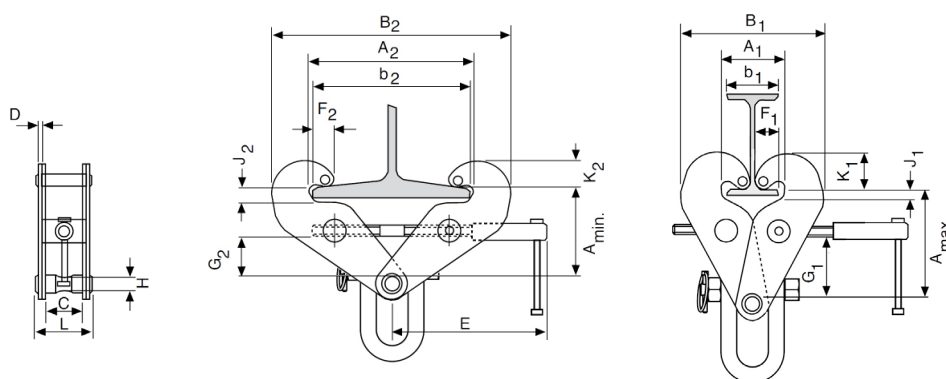
*Beam clamp, ideal for anchor the wire ropes for suspended platforms in beam applications.*

### TECHNICAL INFORMATION

- Minimum safety coefficient of 10:1, according to the Machinery Directive 2006/42/CE.
- Tested with overload and supplied with **EC declaration of incorporation** and instructions manual.
- Provides a quick and versatile anchorage point for suspended platforms.
- Load capacity up to **1000kg**.
- Wide range of possibilities due to the adaptation to different widths.
- Easy to fix to the beam profile, thanks to its threaded bars.
- Able to adjust to a wide variety of "T" and "double T" profiles.
- Optional shackles supply for adapt to reduce dimensions hooks.
- One clamp must be used for each cable of the platform.

### TECHNICAL DATA

Reference	Capacity (kg)	Beam flange length (mm)	Net weight (kg)
200017-000	500	75 - 230	3,8
200017-100	1000	75 - 230	4,6



### DIMENSIONS

Capacidad (kg)	A mín.	A máx.	A1	A2	B1	B2	b1 mín.	b2 máx.	C	D	E	F1 mín.	F2	G1	G2	H	J1	J2 máx.	K1	K2	L
500	115	150	78	246	186	350	75	230	50	4	215	34	17	82	44	20	14	21	48	31	84
1000	115	150	78	246	186	350	75	230	50	6	215	35	18	82	44	20	14	21	50	32	94

Dimensions in mm.

