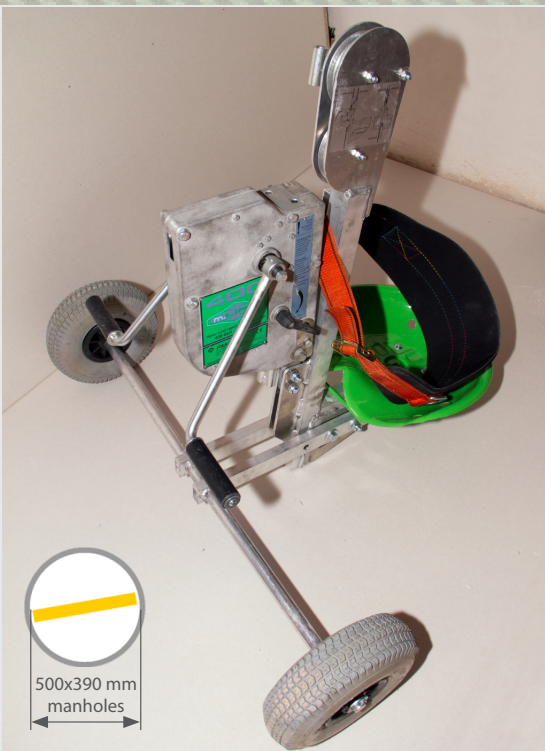




SUSPENDED WORK SEAT MANUAL LIFTING



TECHNICAL INFO

Accessus suspended work seat built in aluminium & equipped with m.lift® 400 manual lifting hoist.

The Accessus suspended work seat is a lightweight device with reduced dimensions which allows to work different kind of works at facades, lightshafts, silos, tank storage reservoirs, chimneys... and no needs assembly, just install the wire ropes inside the manual hoist.

Accessus suspended work seat designed for elevation of people according to EN 1808 standards & CE marking.

This system allows unlimited working height just changing the length of the wire ropes.

To ensure the safety of the operator, the Accessus suspended work seat uses suspension wire rope + secondary wire rope with fall arrest device inside the hoist.

The Accessus suspended work seat is delivered with Declaration of Conformity for lifting people & Operating Instructions Manual. Special formation is no needed to use this equipment.

Compatible with all the suspension systems like the "5S" suspension beam with counterweights or the gantry beam for lightshafts.

Advantages:

- Simple, safe & affordable.
- Easy to store, transport & assembly.
- Easy to use.
- Unlimited working height.
- Safety device integrated for secondary wire rope.
- Lightweight.
- Accessories: Support wheels for facades.
- Comfortable (reduced efforts at maximum load).

SAFETY DEVICES

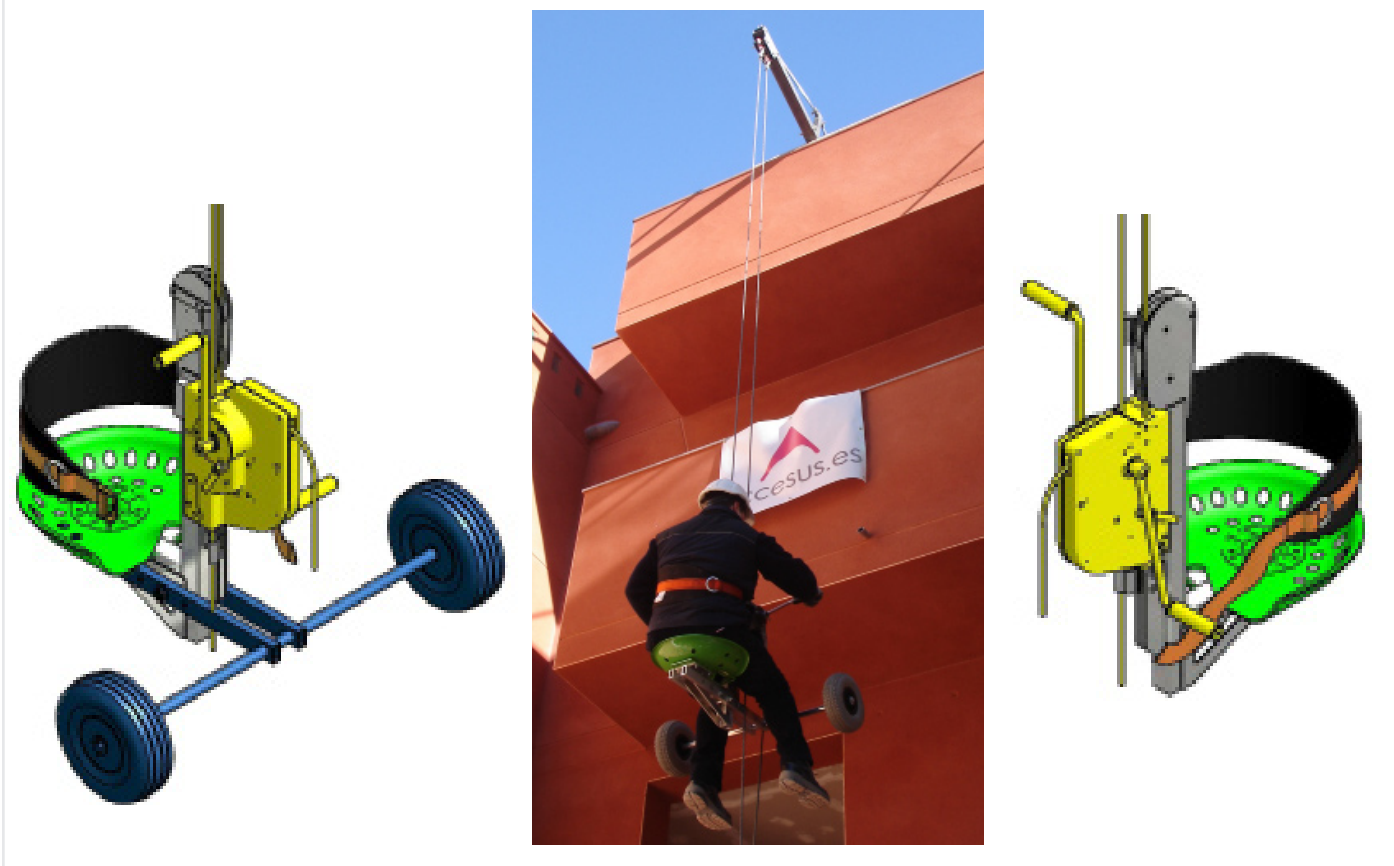
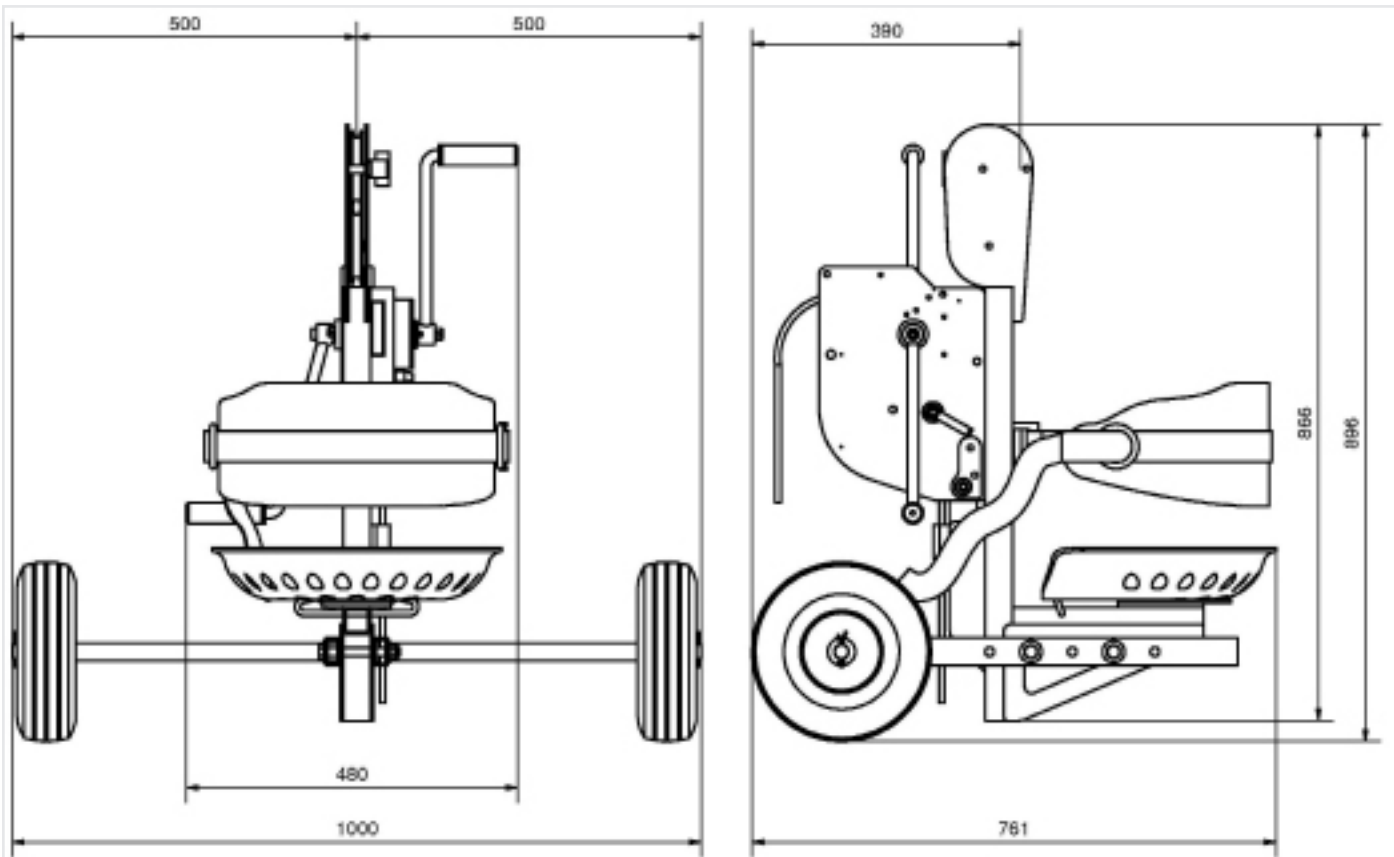
- Main brake and safety foremast to ensure a full and automatic stop if the operator doesn't apply force into the cranks.
- Suspension & secondary wire ropes.
- Safety coefficient of the wire ropes.

TECHNICAL FEATURES

Suspended work seat	
Weight Load Limit (W.L.L.)	120kg/m(*)
(*) 1 person + tools	
Maximum height	Unlimited
Dead weight of the seat	10 kg
Dead weight of the seat with hoist	21,20 kg
Minimum space for manholes	500x390mm
Lifting speed	3.8m/min(**)
	(**) at 50 rpm



SUSPENDED WORK SEAT
MANUAL LIFTING



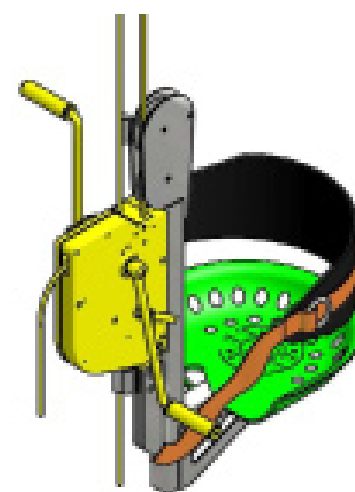
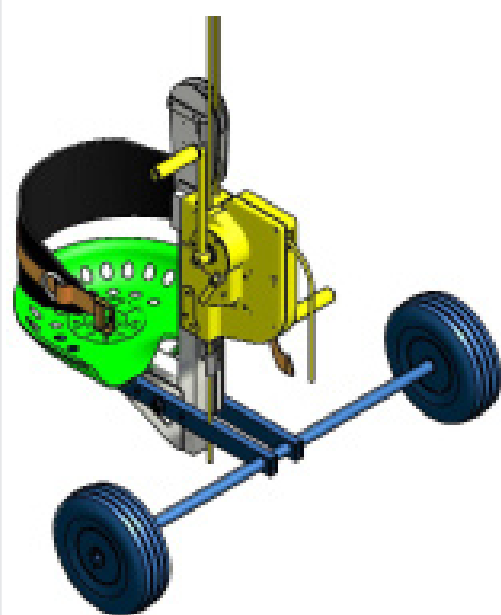
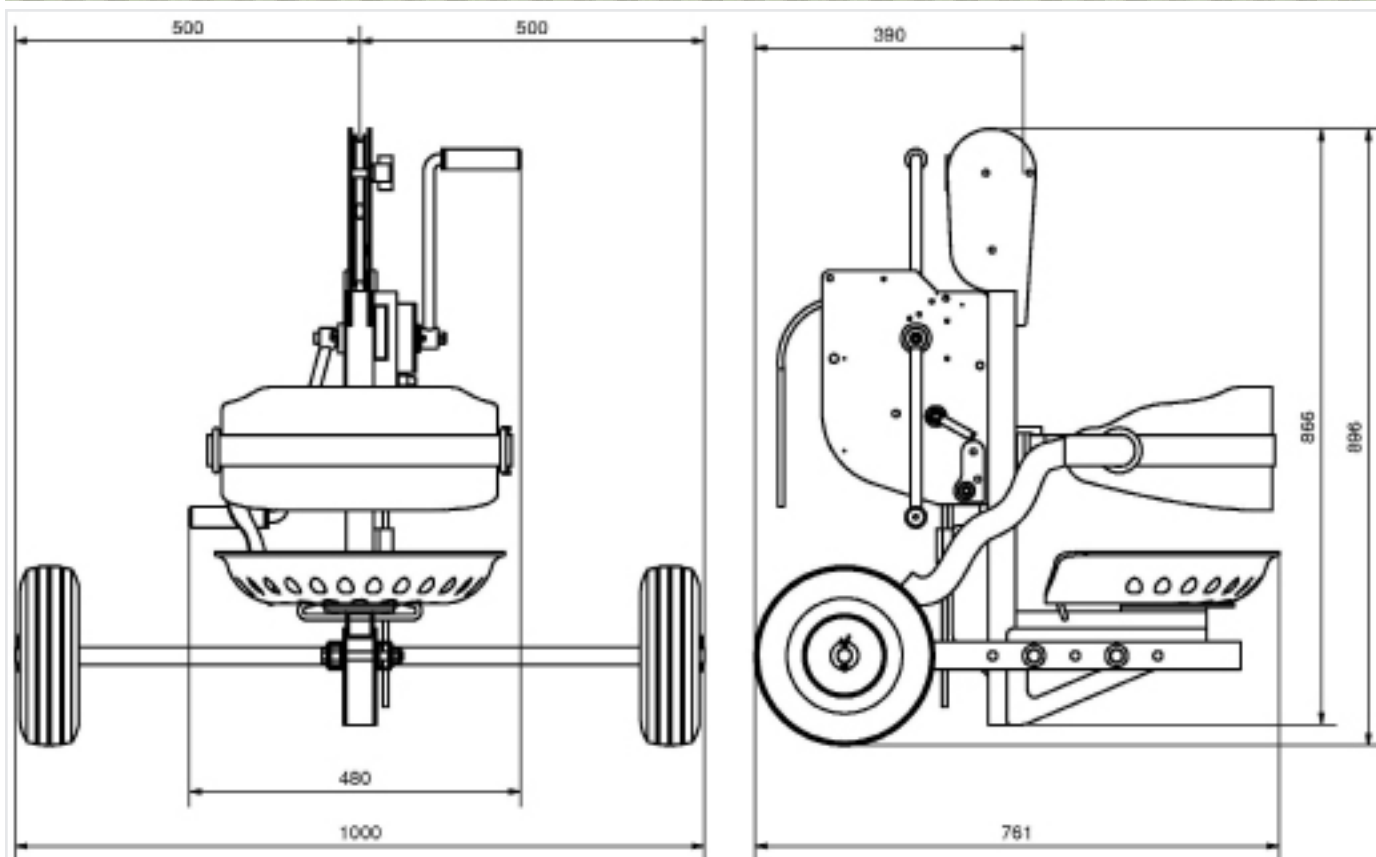
Reference: FT-009EN

suspended work seat

Version: 02

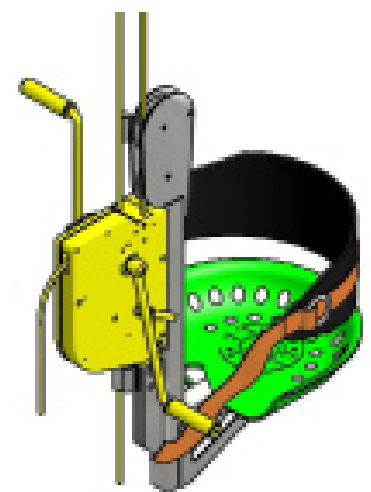
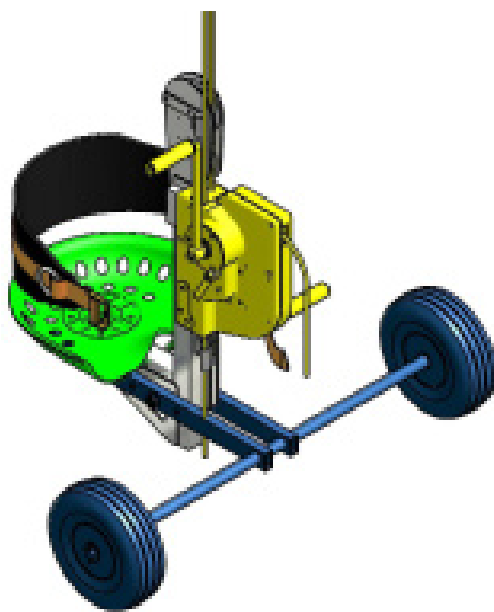
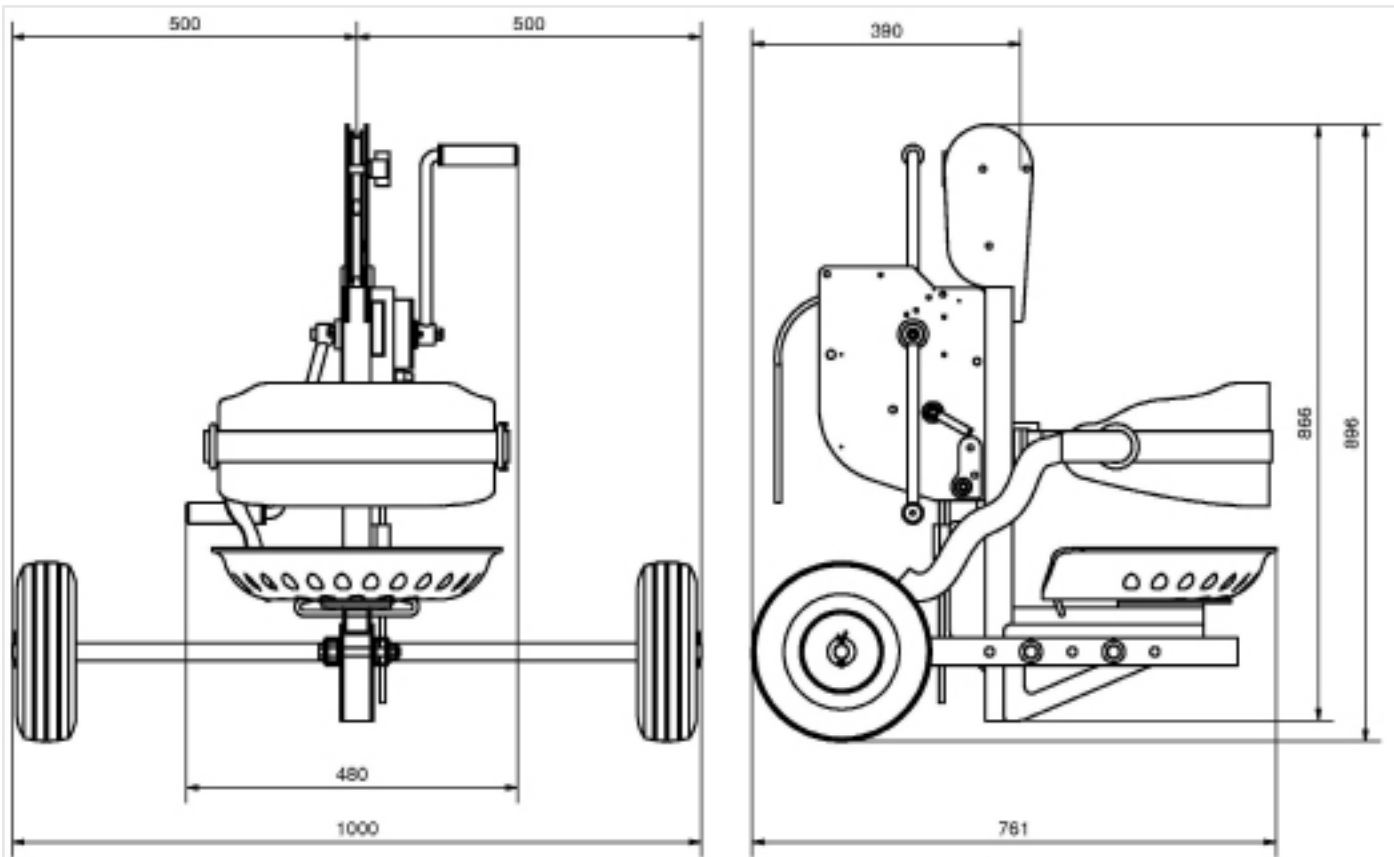
2 / 2

SUSPENDED WORK SEAT
MANUAL LIFTING





SUSPENDED WORK SEAT
MANUAL LIFTING



Reference: FT-009EN

suspended work seat

Version: 02

2 / 2

