

TECHNICAL INFORMATION

The square davit for suspended platforms is a quick-to-install solution for suspended platforms, monocabs, suspended cabins or LM and Motrix load elevators, with a load capacity of 500 Kg.

It is not necessary to mount counterweights, it does not take up space on the decks and is very easy to transport and store.

There are three different models depending on the type of fixation. It can be installed on beams or walls.

The square davit is approved for lifting people.

Before using the square davit, check that the surface on which it is mounted resists the loads transmitted by the davit.

TECHNICAL FEATURES

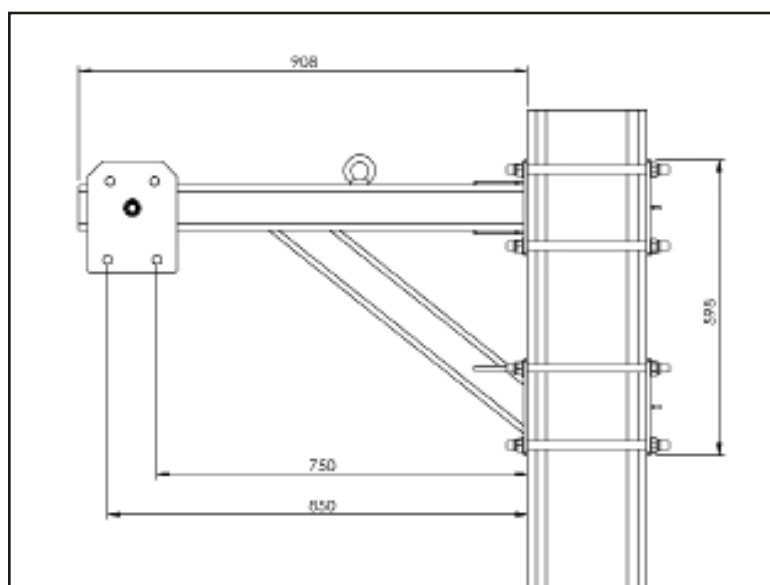
Maximum load	500 Kg
Fixation*	HEB 180, HEB 240, wall
Outreach	0,80 m
Weight	45 Kg

* Consult for other profiles.



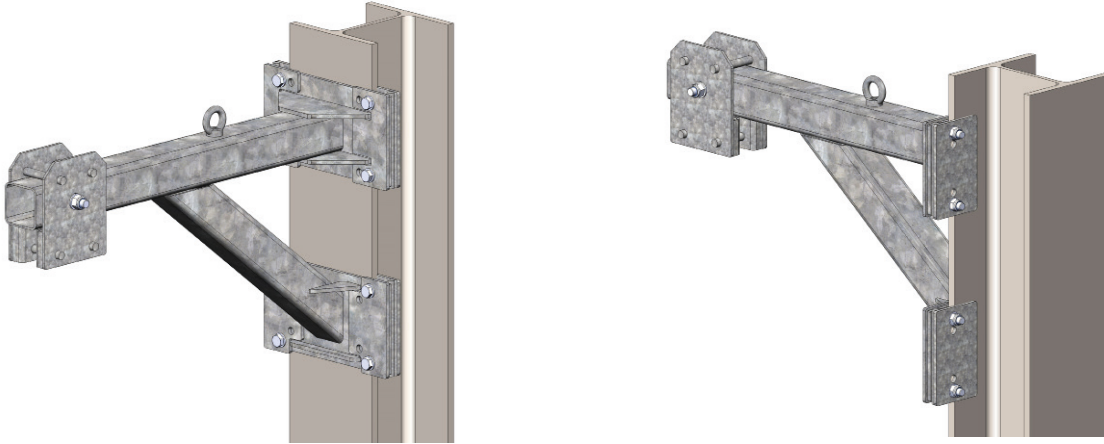
ADVANTAGES

- Light and small in size, easy to manipulate.
- Adaptable to different wall widths and beam profiles.
- Valid for any type of suspended platform.
- Approved for lifting people.

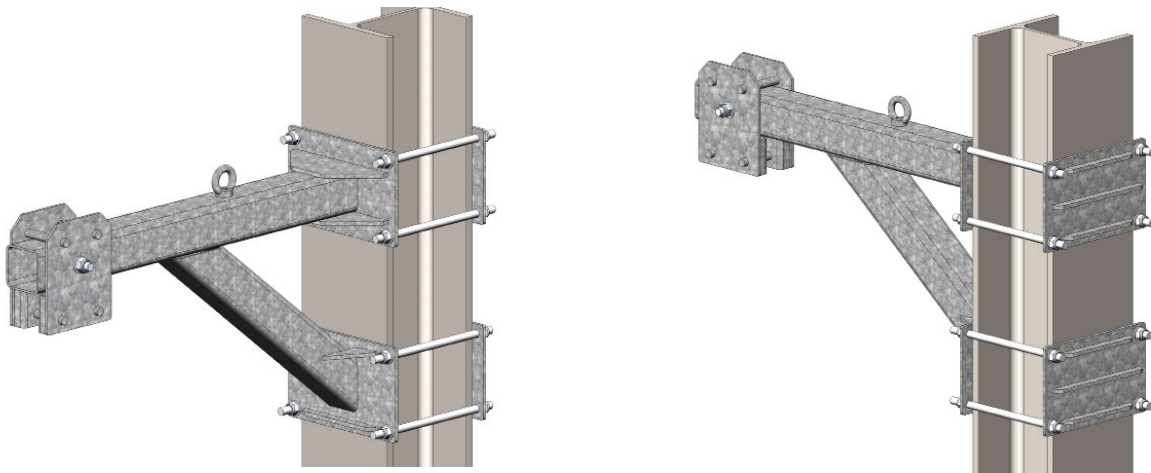


SETTINGS

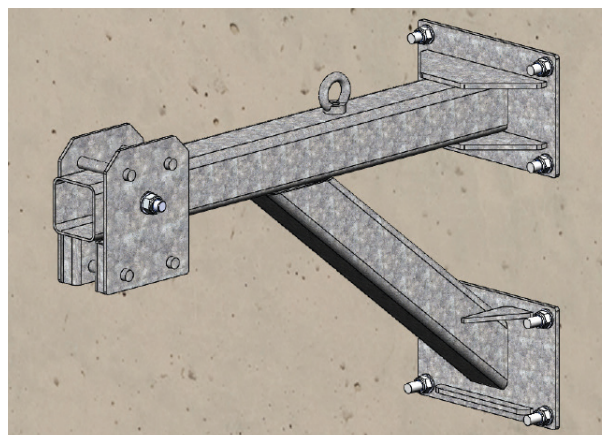
Beam clamps



Counterplate to beam



Concrete anchors



REACTIONS