

## SUSPENSIONS. MINI GANTRY SUSPENSION UNIT FOR PARAPETS 200020

### TECHNICAL INFO

The suspension unit for parapet is an easy installation solution to hand suspended platforms, single cradles, suspended work seats or load hoists like LM or Motrix.

No need to use counterweight and it does not take much space.

It is very easy to transport and store.

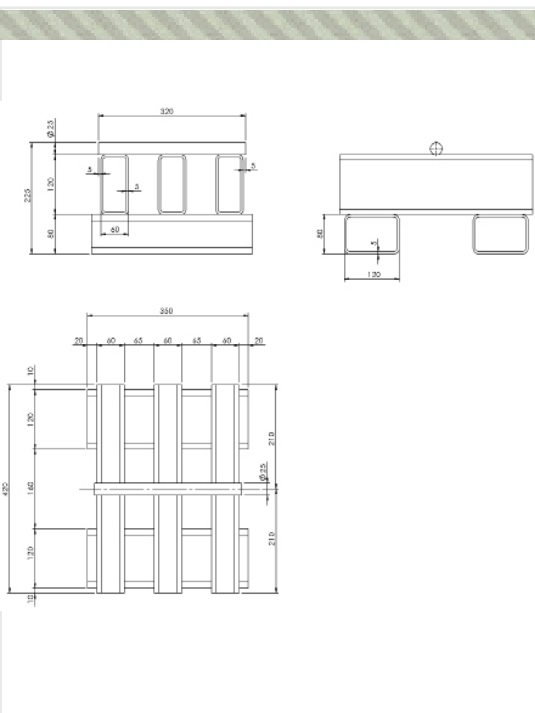
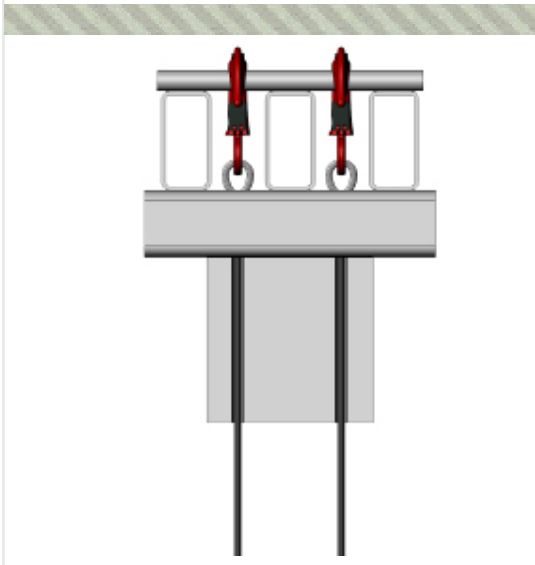
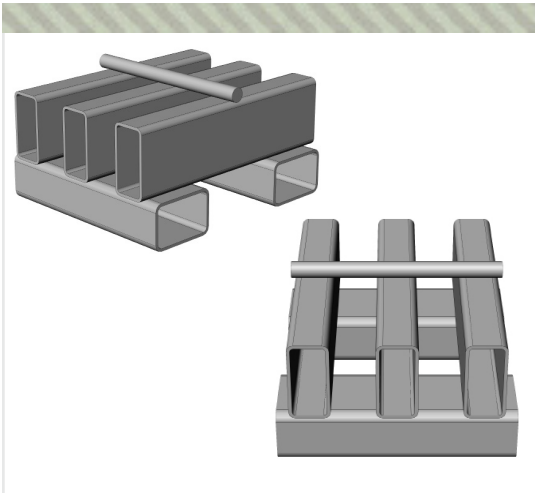
The suspension unit for parapet has an adjustment system and can be installed on any parapet thickness between 0, 15 to 0, 50 m.

Load capacity: 500 kg.

Easy to install. It weights only 27kg.

Certified equipment used for lifting persons.

Before using this product, the strength of the parapet should be verified. It should be able to withstand the load and stresses that the installation of this unit will cause.



### TECHNICAL FEATURES:

#### Model 500

Load capacity	500 Kg
Parapet thickness	0.15 m hata 0.5 m
Weight	27 Kg

### ADVANTAGES

- Lightweight, small and easy to manipulate.
- Adjustable to different parapets thickness
- Works with any type of suspended scaffold or cradle.
- Certified equipment used for lifting persons.

**Recommendations:**

- Verify that the parapets are able to withstand the loads and stresses that the installation of this unit will cause. If required, check the permissible loads with the contractor.
- We recommend, after installation and before use, to test the installation in accordance with the current regulations.
- Regularly inspect the condition of all elements.

