

SUSPENDED CABLE REEL

TECHNICAL INFORMATION

Cable reel Accessus 020053. It is a very useful steel accessory for manually winding and unrolling and transporting long lengths of steel cable in situations where it is necessary to keep it suspended from a platform.

It facilitates the winding and unwinding of the steel cable in a comfortable and simple way by avoiding cable distortions and allowing the free rotation of the cable coiled in suspension. Suitable for different diameters.

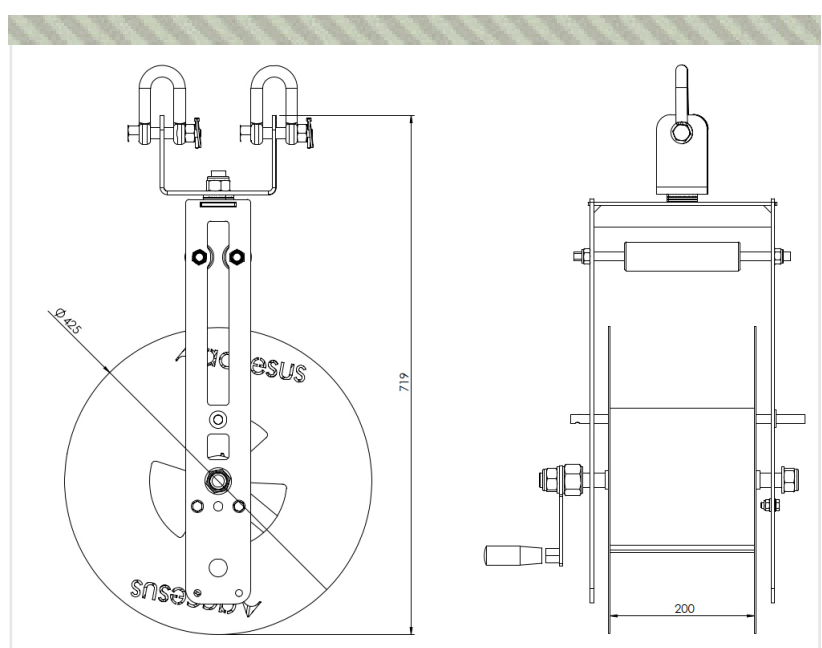
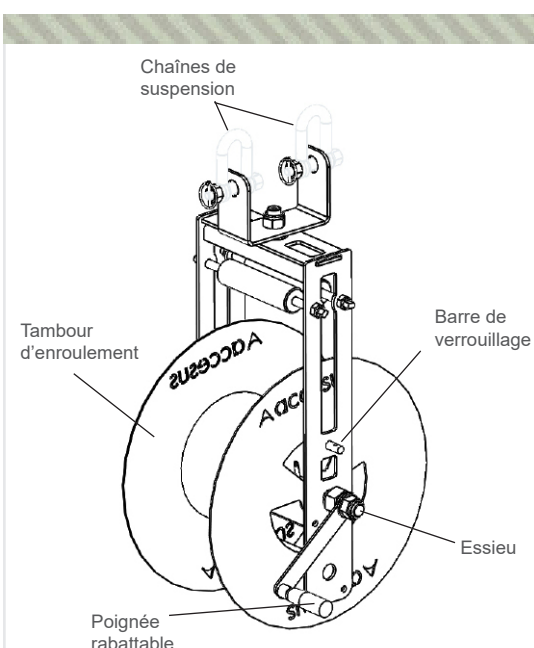
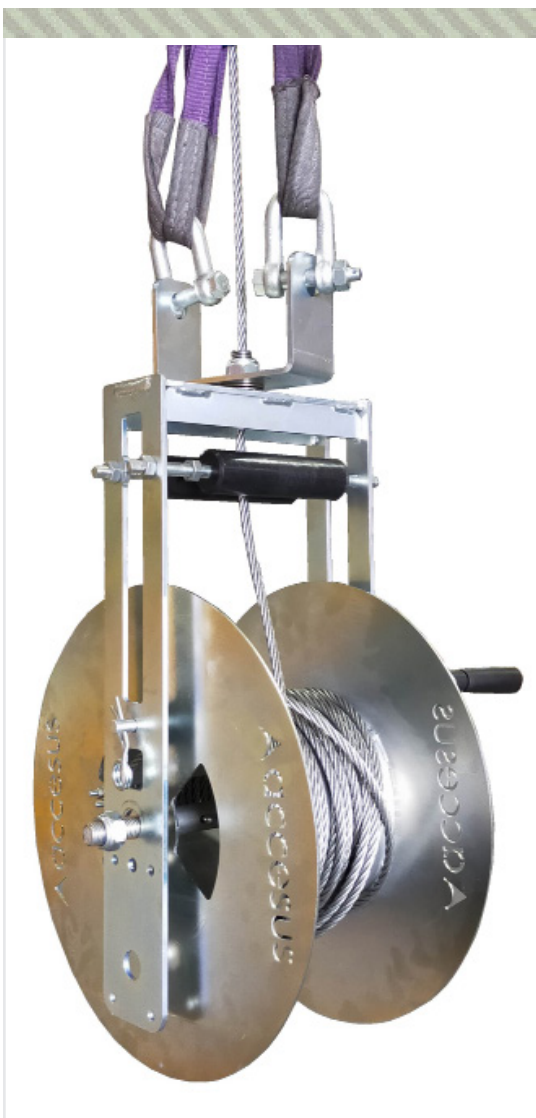
Ideal in addition to suspended scaffolding, suspended platforms, platforms for the maintenance of wind turbines, suspended chairs... or any other application where steel cables are used.

The device consists of a winding drum, a winding shaft, a rotating suspension bracket, a locking bar and a folding handle.

Dimensions: 425 x 452 x 720 mm. Empty weight: 15 kg

WINDING CAPACITY

Cable diameter	Maximum length
Ø 8.3 mm	330 m
Ø 9.5 mm	280 m
Ø 10.2 mm	250 m



SUSPENDED CABLE REEL

USE

The reel is suspended from the platform by a hoist anchored to a special suspension attached directly to the platform. This system allows to place the reel under the platform and thus to avoid collisions.

After a climb of the platform, it is possible that the reels remain too below. In order to reduce the risk of falling debris above the winder and damage to the cable, it is recommended to reduce the distance between the winder and the platform. To do this, it is necessary to mount the reel to the level of the platform using the hoist.

The hanging cable reel is an easy-to-use device. Just handle the locking bar and the folding handle, as explained below.

1- Remove the locking bar to allow reel axle movement.

2- To wrap the remaining cable, turn the folding handle counter-clockwise.

3- Return the locking bar to its position to cancel the retracting axle movement.

Otherwise, if the platform is to be lowered, it is necessary to remove the cable from the reel first. To do this, simply access the reel with the procedure described above, then turn the handle in the opposite direction.

It is important that once the handling of the reels is complete, they are always suspended from the cable, never from the hoist.

