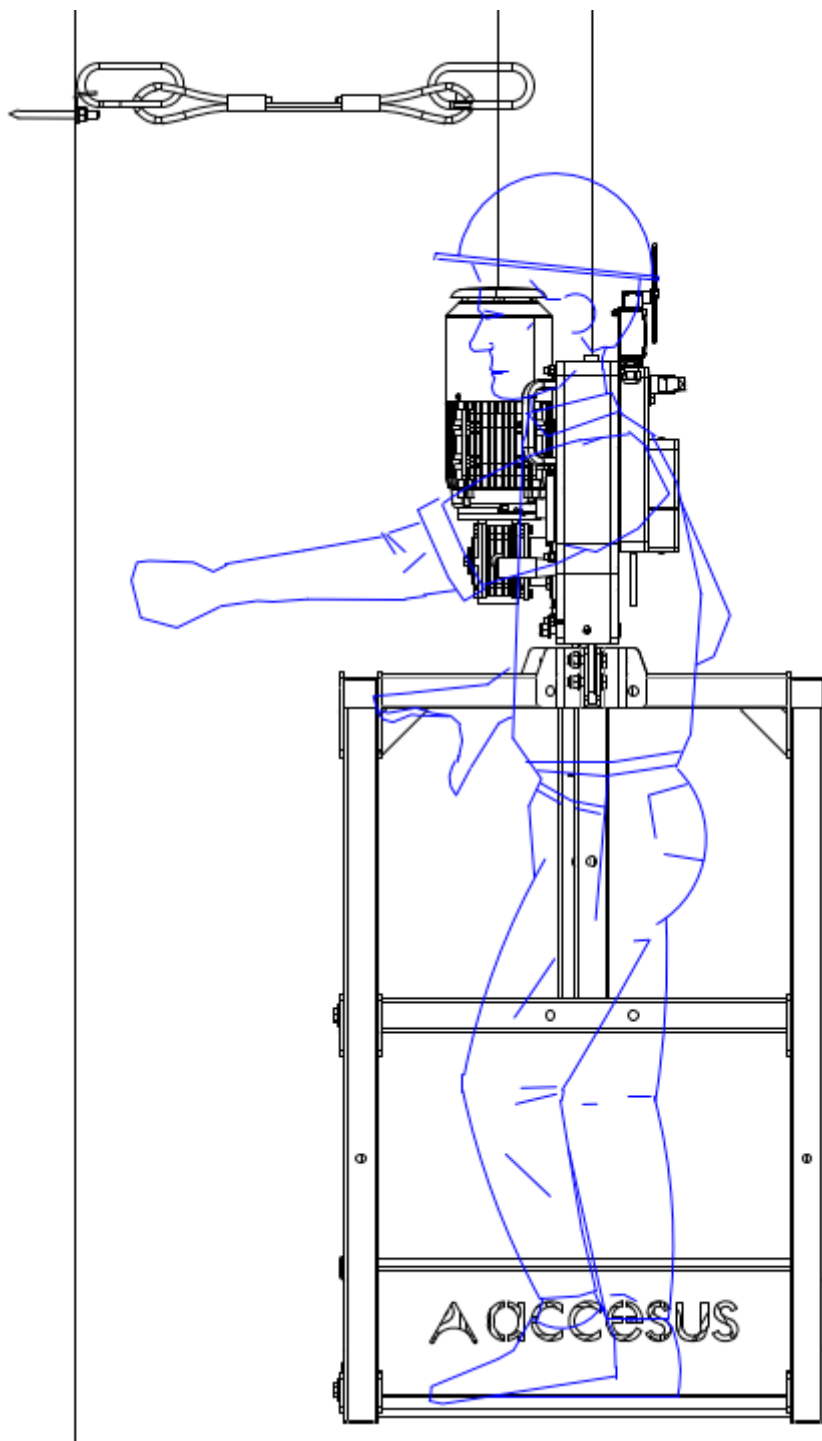




accessus
PLATAFORMAS SUSPENDIDAS

HANGING SCAFFOLDING: RETENTION KIT



ORIGINAL INSTRUCTION MANUAL

This manual must always be available to the user.
Ask for more copies if you need them.

Index:

1-Information about the manual	3
2-Symbols used in this manual	3
3-General	4
3.1 Glossary	4
4-Description of the equipment	5
4.1-Scope of application	5
4.2-Main components	5
4.3-Tips for commissioning	6
4.4-Loads transmitted by the anchorage	6
5-Assembly of the kit	7
7-Elimination and environmental protection	8
9-Maintenance	9
10-Historical	10

**¡DANGER!**

Risk of injury from falling objects, failure, misapplication and/or misuse.

Read the entire instruction manual thoroughly before installation and commissioning of the machine. The instructions and procedures described in this instruction manual must be followed to ensure safe use of the equipment.

1- Information about the manual:

Date of edition:	Manufacturer:
1st Edition: 11/2023	ACCESUS plataformas suspendidas, S.L. c/ Energia 54 08940 Cornellá de Llobregat (Barcelona) SPAIN Telf.: (+34) 93 475 17 73 www.accesus.es accesus@accesus.es
Industrial property rights: All rights reserved on this instruction manual.	

2- Symbols used in this manual

**¡DANGER!**

Type and source of danger

Result: e.g. death or serious injury.

-Measures to be taken to eliminate the danger

**¡IMPORTANT!**

Type and source of danger

Result: e.g. damage to equipment or the environment.

-Measures to be taken to eliminate any possibility of accident

**NOTE**

This symbol does not identify with any safety instruction, it gives information to improve compression.

3- General:

This instruction manual is intended for operators of the equipment described. This instruction manual must be accessible to the operator at all times. Request more copies if needed.

ACCESUS suspended platforms, S.L. reserves the right to modify the product described in this instruction manual as part of its policy of continuous improvement.

Customers may obtain documentation on other ACCESUS products by requesting the documentation from ACCESUS through the means described in section 1 of this instruction manual. Please visit our website www.accesus.es.

3.1-Glossary and abbreviations used in this manual

C.M.U. o W.L.L.	Max. working load
Electrician	An electrician is a professional who has sufficient knowledge or has obtained the necessary qualification through training to know the risks and avoid the danger of working in an electrical environment.
Operator	Professional who handles the equipment
TSP	Temporal Suspended Platform

IMPORTANT:

If you have to entrust the equipment described in this manual to sub-contracted personnel or similar, check and apply your obligations under the applicable national regulations on safety at work, particularly with regard to checks and tests before putting it into service.

OCCUPATIONAL RISK PREVENTION PLAN:

According to Article 7 of RD 1627/97, each contractor must draw up an occupational health and safety plan in which the provisions contained in the study or basic survey are analysed, studied, developed and supplemented, depending on their own system for carrying out the work. See points 1 and 2 of the aforementioned RD.

4- Description of the equipment

4.1-Application area

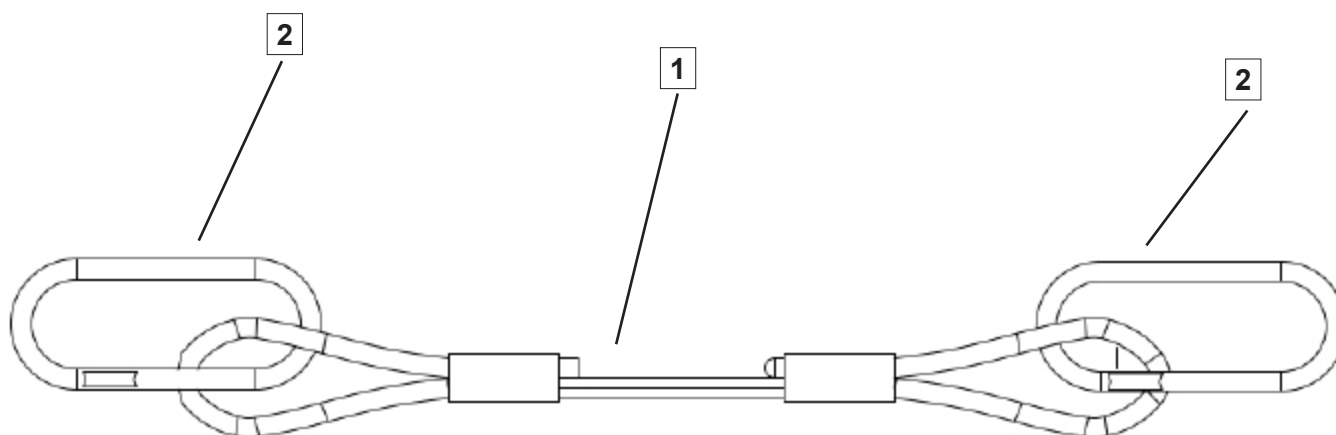
The 200049 retention kit is intended to offer an additional level of safety to those temporary suspended platforms in outdoor spaces affected by wind, whose height is equal to or greater than 40m.

4.2-Main components

The retention kit, which meet the specifications described in the standard UNE-EN1808 and European Directive 2006/42/EC.

The main components are:

- 1- Metal sling 200028 of 0.5m (1 unit) (1)
- 2- Carabiner AA011 (2 units) (2)



4.3-Tips for commissioning



¡IMPORTANT!

Risk of injury and injury from falling objects, falling at different levels and / or breaking.

Danger of death due to falling objects, falling to different levels and / or breakage.

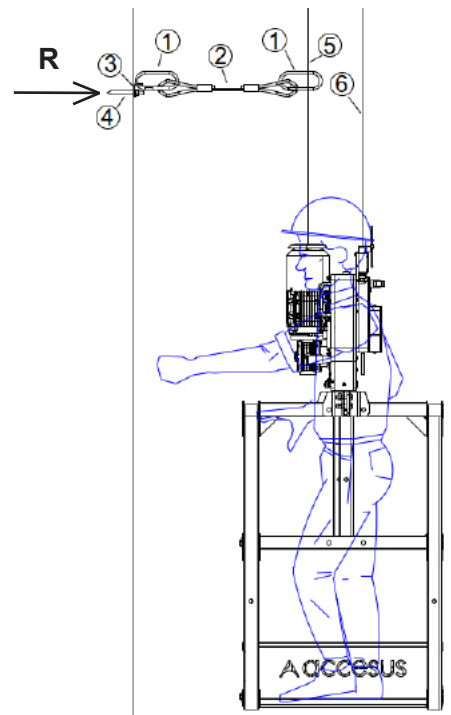
-Before proceeding with the assembly of the kit, make sure that the support surfaces have sufficient capacity to withstand the efforts. If necessary, consult with the site manager about the admissible loads. The transmitted loads are those described in section 4.4 of this user manual.

-Adjust the distance between the slings according to the distance between the cables of the suspended platform.

-Regularly check the condition of the components. Use only original ACCESUS spare parts.

4.4-Loads transmitted by the anchorage

-R = 1000kg (in any direction)



5-Mounting of the kit



¡IMPORTANT!

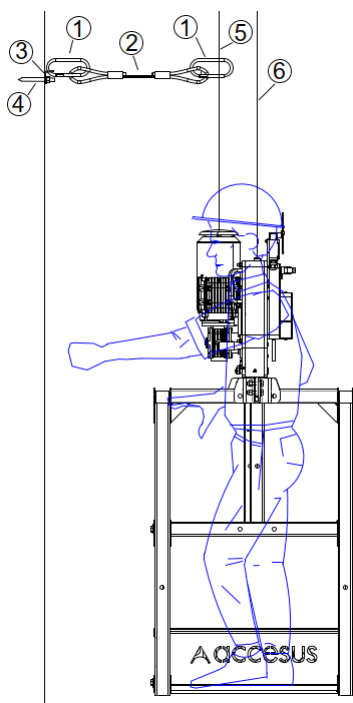
Risk of injury from falling objects, falling to different levels and/or breakage.

Risk of death due to falling objects, falling to different levels and/or breakage.

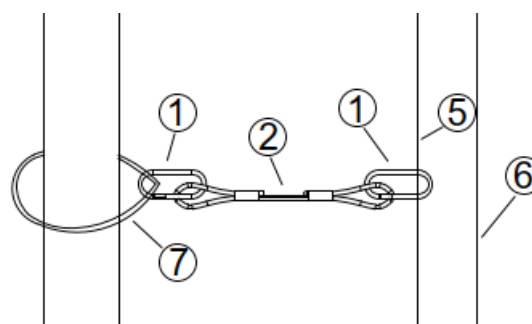
-Before starting the montage, make sure that the support points have sufficient capacity to withstand the forces. See section 4.4 of this manual.

The retention kit can be anchored either to concrete or other type of structures. There can be, at most, a 600mm distance between the anchor point and the working cable.

A: Concrete anchor point



B: Anchorage on other type of structures

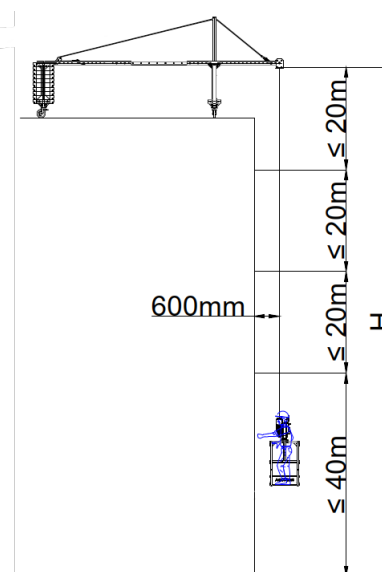


- 1- Carabiner A011
- 2- 200028 0.5m sling
- 3- Anchor point PAF180-12
- 4- Mechanical anchorage M12x115
- 5- Working cable
- 6- Security cable
- 7- 200028 suspension sling long enough to hug the structure

During the first elevation and the last descent extra precautions need to be taken as to avoid risks since the platform won't have the retention kits installed.

The lowest retention level can't be higher than 40m and, from then on, the next levels must be successively installed at a maximum distance of 20m between them until the necessary height is reached. On each level, there will be a kit for each motor the platform has.

Example: If a 2-motor platform will reach a height of 115m, we will need 8 kits. Two (1 for each motor) at 40, 60, 80 and 100m respectively. Since there's less than a 20m ascent after the 100m mark, another level won't be needed.



6-Disposal and environmental protection

Reusable materials were used to manufacture the device. The device must be disposed of in accordance with the regulations. This must be carried out correctly in accordance with the Waste Directive 75/442/EEC, which applies in the European Union.

According to Directive 2002/96/EC, the manufacturer is obliged to take back and manage certain pneumatic and electronic components. The components in question are identified on the type plate with the following symbol:



7-Maintenance



¡DANGER!

Risk of injury and death from falling objects, falling to different levels, breakage and/or electrical contact.	Risk of death due to falling objects, falling to different levels and/or breakage.
	-Stop the work immediately. -Determine the cause and remedy the fault. -Use only ACCESUS original parts, otherwise the manufacturer cannot guarantee the safety of the equipment.

The equipment covered by this instruction manual must be serviced annually by the ACCESUS maintenance department or an ACCESUS authorized repairer.

Periodic maintenance of the metal suspension sling consists of

A-Cleaning of surfaces, removal of material residues such as paint, mortar, etc.

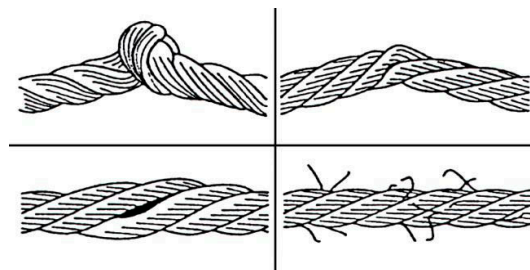
B-Revision of the state of the tensioning cables and slinging accessories.

Only the cables recommended and supplied by ACCESUS guarantee the operation of the elevators in total safety.

The metal suspension sling has a nominal diameter of 14mm, and two loops at the ends. The cable has an identification plate that identifies the origin, diameter and length.

Cables must be replaced in the following cases:

- a) Reduction of the diameter. Minimum diameter 9.7mm.
- b) Breakage of more than 10 wires over a length of 31 cm.
- c) Deformation in the basket or breakage of one of the cable ends.



C-Review of the condition of the slinging accessories. Check that slings, shackles, etc. are in proper condition without surface damage, tearing, or damage from chemicals (paint, solvents, etc.)

Only the slinging accessories recommended and supplied by ACCESUS guarantee the operation of metal suspension slings in complete safety.



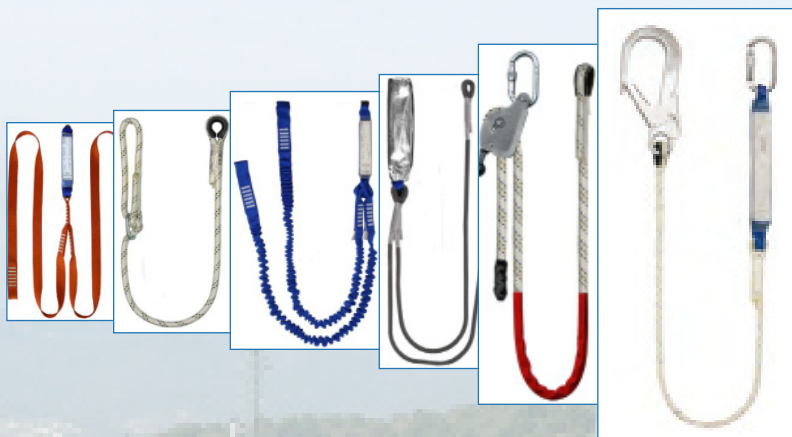
accessus®

NUEVO CATÁLOGO
PARA TRABAJOS
EN ALTURA



ARNESES

- Arneses homologados con anclaje frontal y/o dorsal, con o sin cinturón de posicionamiento, ignífugos, aptos para trabajos en suspensión, diseñados para mujer, de alta visibilidad...
- Arneses de gama alta desde 55 €.



ESLINGAS

- Disponibles con o sin conectores, regulables, dobles, con o sin absorbedor de energía, ignífugos, de cuerda o cinta elásticas...
- Eslingas con distintas longitudes y precios a partir de 6 €.



ANTICAÍDAS Y DESCENSORES

- Anticaídas de cuerda, anticaídas retráctiles de cable de acero, anticaídas retráctiles con rescatador, descensores de emergencia con manivela para ascenso...
- Anticaídas con longitud de cable hasta 60 m.

Solicítelo por teléfono en el 93 328 37 55
o bien a través del correo accessus@accessus.es
También puede descargarlo en:
www.accessus.es/es/catalogos





accessus

PLATAFORMAS SUSPENDIDAS

C/Energia 54
08940 Cornellà de Llobregat (Barcelona)
Telf.: 93 475 17 73
www.accessus.es
accessus@accessus.es